



Automatic doors for elevators

# LANDING DOORS

## SERIES Q

### SPECIAL SILLS (11)

**PRISMA S.r.l.**

Quartiere Artigianale  
I-43055 Casale di Mezzani (Pr) Italy  
Tel. +39 0521 3164.11  
Fax +39 0521 3164.333  
e-mail: [sales@prismaitaly.it](mailto:sales@prismaitaly.it)  
[www.prismaitaly.it](http://www.prismaitaly.it)

**PUERTAS PRISMA S.L.**

Poligono Industrial  
Calle Cardener, 11-13  
E-08670 Navas (B)  
Tel. +34 938390582  
Fax +34 938391641  
e-mail: [sales@puertasprisma.es](mailto:sales@puertasprisma.es)  
[www.puertasprisma.es](http://www.puertasprisma.es)



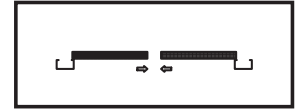
# Series "Q" IRON SILLS

## SPECIAL SILLS FIXING

01\_11\_00\_01REV00

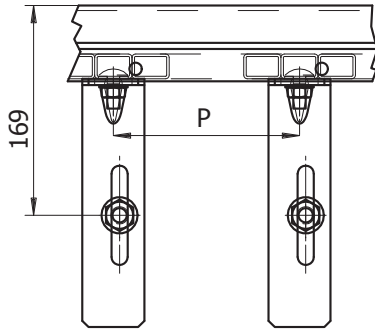


L1S/...



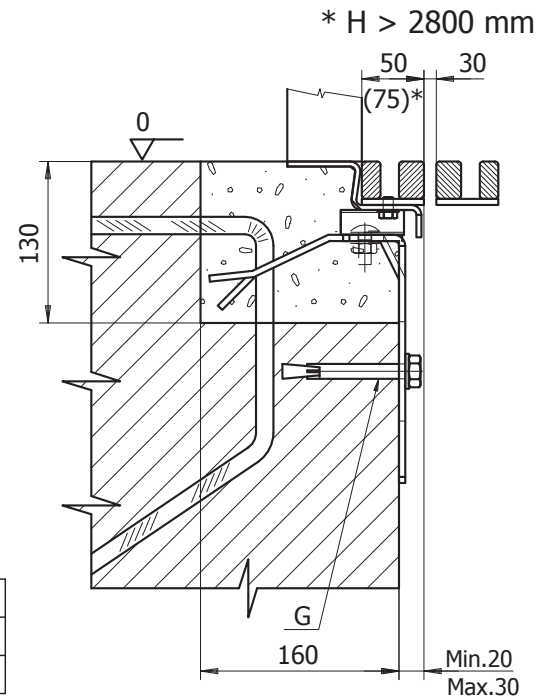
L2C

### STANDARD FIXING

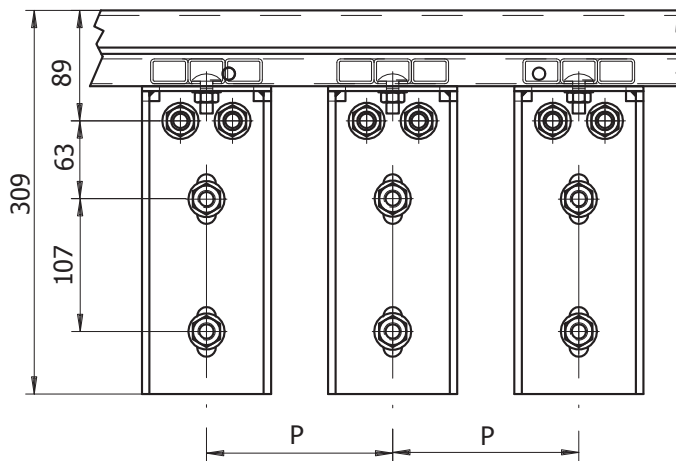


Kg	P	G
3000	300	1 x M12
6000	300	1 x M12
10000	300	1 x M12

FIXING Q.ty	TAB1 pag P11-02-04
FIXING CODE	TAB2 pag P11-02-04
SILLS CODE	TAB3 pag P11-02-04

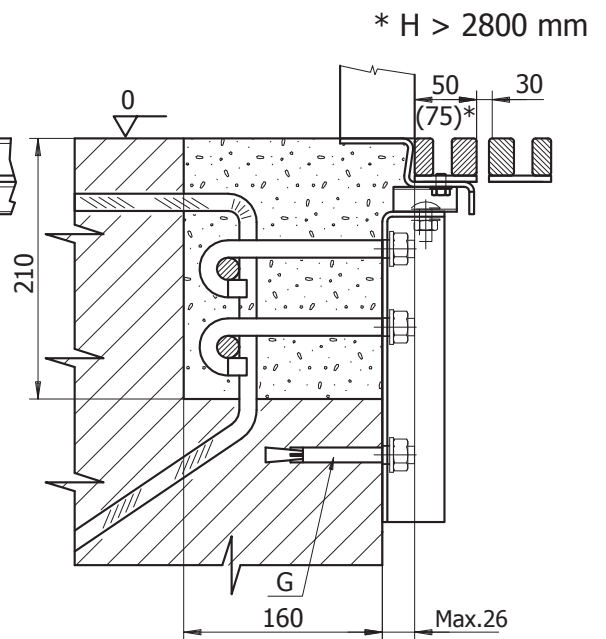


### OPTIONAL FIXING



Kg	P	THREADED ROD	G
3000	300	2 x M10	2 x M12
6000	300	3 x M12	1 x M12
10000	200	3 x M12	1 x M12

FIXING Q.ty	TAB1 pag P11-02-04
FIXING CODE	TAB2 pag P11-02-04
SILLS CODE	TAB3 pag P11-02-04



# Series "Q" IRON SILLS

## SPECIAL SILLS FIXING

01\_11\_00\_01REV00

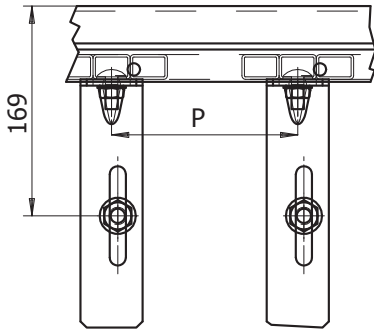


L2S/...



L4C

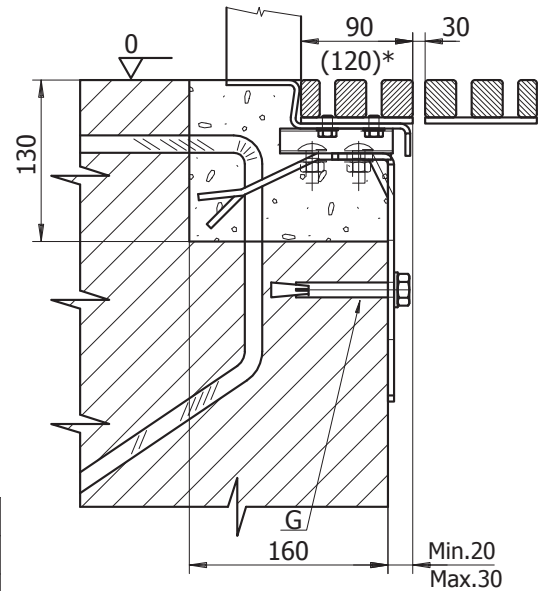
### STANDARD FIXING



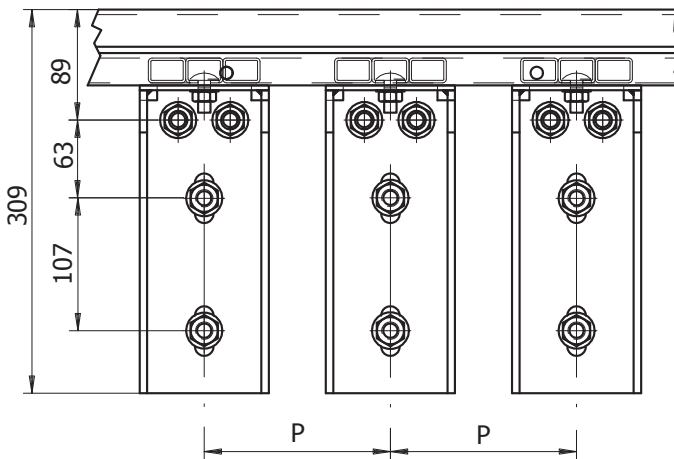
Kg	P	G
3000	300	1 x M12
6000	300	1 x M12
10000	300	1 x M12

FIXING Q.ty	TAB1 pag P11-02-04
FIXING CODE	TAB2 pag P11-02-04
SILLS CODE	TAB3 pag P11-02-04

\* H > 2800 mm



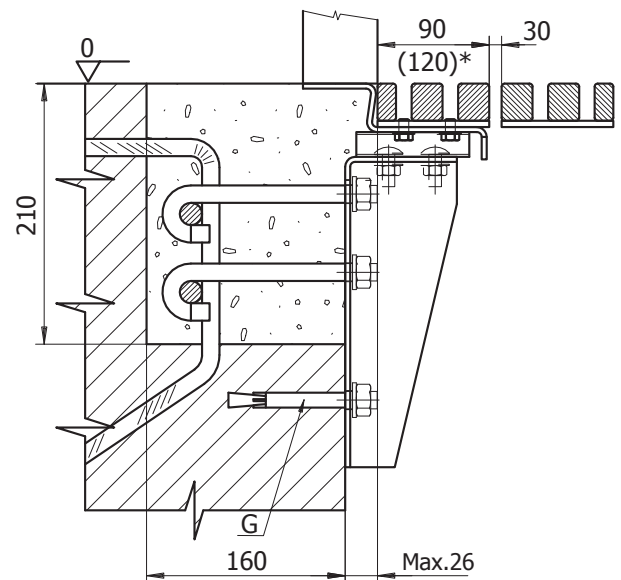
### OPTIONAL FIXING



Kg	P	THREADED ROD	G
3000	300	2 x M10	2 x M12
6000	300	3 x M12	1 x M12
10000	200	3 x M12	1 x M12

FIXING Q.ty	TAB1 pag P11-02-04
FIXING CODE	TAB2 pag P11-02-04
SILLS CODE	TAB3 pag P11-02-04

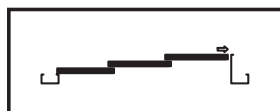
\* H > 2800 mm



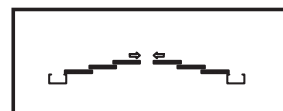
# Series "Q" IRON SILLS

## SPECIAL SILLS FIXING

01\_11\_00\_01REV00



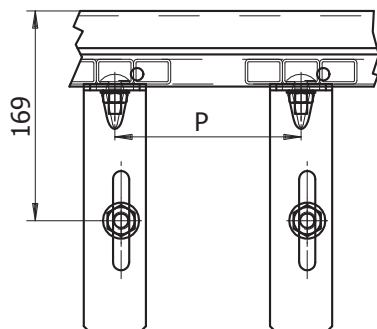
L3S/...



L6C

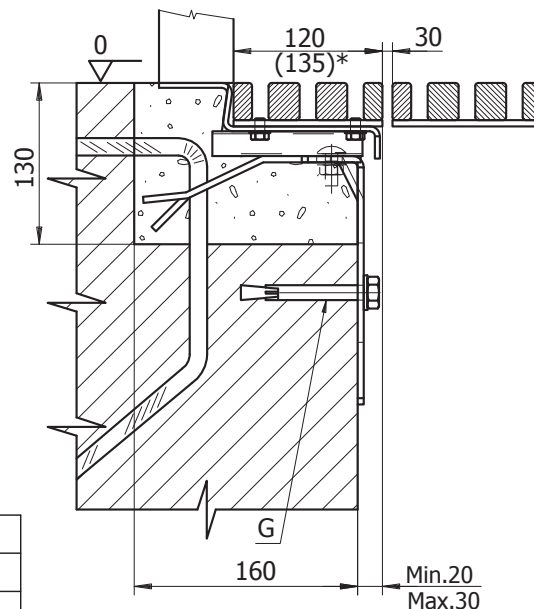
\* REI or H > 2800 mm

### STANDARD FIXING



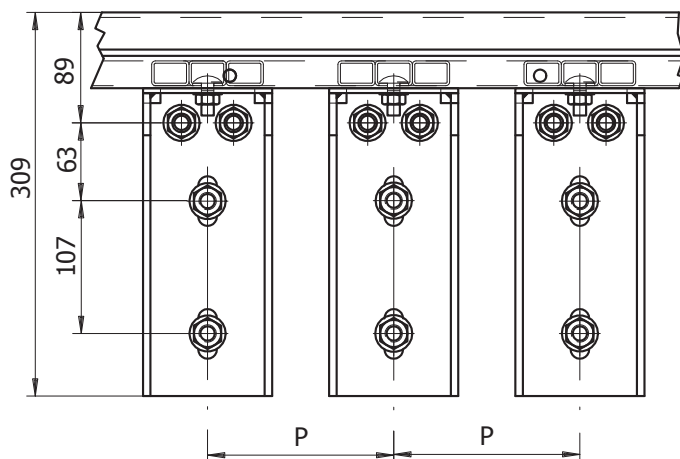
Kg	P	G
3000	300	1 x M12
6000	300	1 x M12
10000	300	1 x M12

FIXING Q.ty	TAB1 pag P11-02-04
FIXING CODE	TAB2 pag P11-02-04
SILLS CODE	TAB3 pag P11-02-04



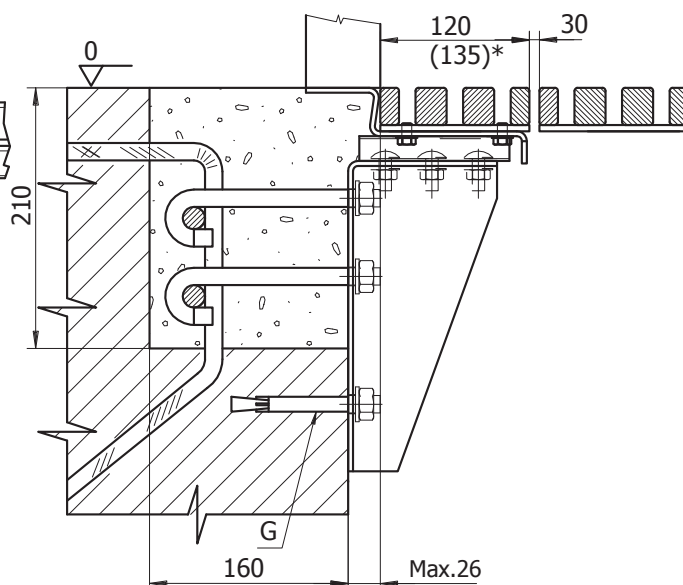
\* REI or H > 2800 mm

### OPTIONAL FIXING



Kg	P	THREADED ROD	G
3000	300	2 x M10	2 x M12
6000	300	3 x M12	1 x M12
10000	200	3 x M12	1 x M12

FIXING Q.ty	TAB1 pag P11-02-04
FIXING CODE	TAB2 pag P11-02-04
SILLS CODE	TAB3 pag P11-02-04



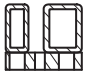



# Series "Q" IRON SILLS

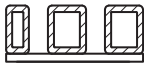



## SPECIAL SILLS FIXING

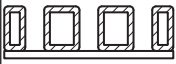

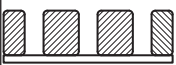

01\_11\_00\_01REV00

TAB 1			
	STANDARD FIXING	OPTIONAL FIXING	
		CAPACITY 3000-6000 Kg	CAPACITY 10000 Kg
CLEAR OPENING (mm)	Q.TY FIXING	Q.TY FIXING	Q.TY FIXING
1000-1050	6	6	6
1100-1450	6	6	8
1500-1550	6	6	10
1600-1850	8	8	10
1900-2100	8	8	12
2200	10	10	12
2300-2600	10	10	14
2700	10	10	16
2800-3000	12	12	16
3100-3300	12	12	18
3400	14	14	18
3500-3800	14	14	20
3900	14	14	22
4000-4200	16	16	22
4300-4500	16	16	24

TAB 2			FIXING LENGHT	FIXING CODE
OPTIONAL FIXING	CAPACITY 3000 Kg	L1S-L2C	50 mm	270000M242
			75 mm H>2800mm	270000M089
		L2S-L4C	90 mm	270000M243
			120 mm H>2800mm	270000M244
		L3S-L6C	120 mm	270000M244
			135 mm REI or H>2800mm	270000M293
	CAPACITY 6000-10000 Kg	L1S-L2C	50 mm	270015M016
			75 mm H>2800mm	270015M095
		L2S-L4C	90 mm	270015M017
			120 mm H>2800mm	270015M019
L3S-L6C		120 mm	270015M019	
		135 mm REI or H>2800mm	270015M069	
STANDARD FIXING			FIXING CODE	270000M048

TAB 3			L1S/L	L1S/R	L2C
	50mm	Fe	270015A023	270015A021	270015A022
		Inox	270015A029	270015A027	270015A028
	75mm	Fe	270015A085	270015A083	270015A084
		Inox	270015A091	270015A089	270015A090
	50mm	Fe	270015A024	270015A025	270015A026
		Inox	270015A030	270015A031	270015A032
	75mm	Fe	270015A086	270015A087	270015A088
		Inox	270015A092	270015A093	270015A094

TAB 4			L2S/L	L2S/R	L4C
	90mm	Fe	270015A035	270015A033	270015A034
		Inox	270015A041	270015A039	270015A040
	120mm	Fe	270015A072	270015A070	270015A071
		Inox	270015A078	270015A076	270015A077
	90mm	Fe	270015A036	270015A037	270015A038
		Inox	270015A042	270015A043	270015A044
	120mm	Fe	270015A073	270015A074	270015A075
		Inox	270015A079	270015A080	270015A081

TAB 5			L3S/L	L3S/R	L6C
	120mm	Fe	270015A045	270015A045	270015A046
		Inox	270015A051	270015A051	270015A052
	135mm	Fe	270015A059	270015A057	270015A058
		Inox	270015A065	270015A063	270015A064
	120mm	Fe	270015A049	270015A049	270015A050
		Inox	270015A055	270015A055	270015A056
	135mm	Fe	270015A060	270015A061	270015A062
		Inox	270015A066	270015A067	270015A068